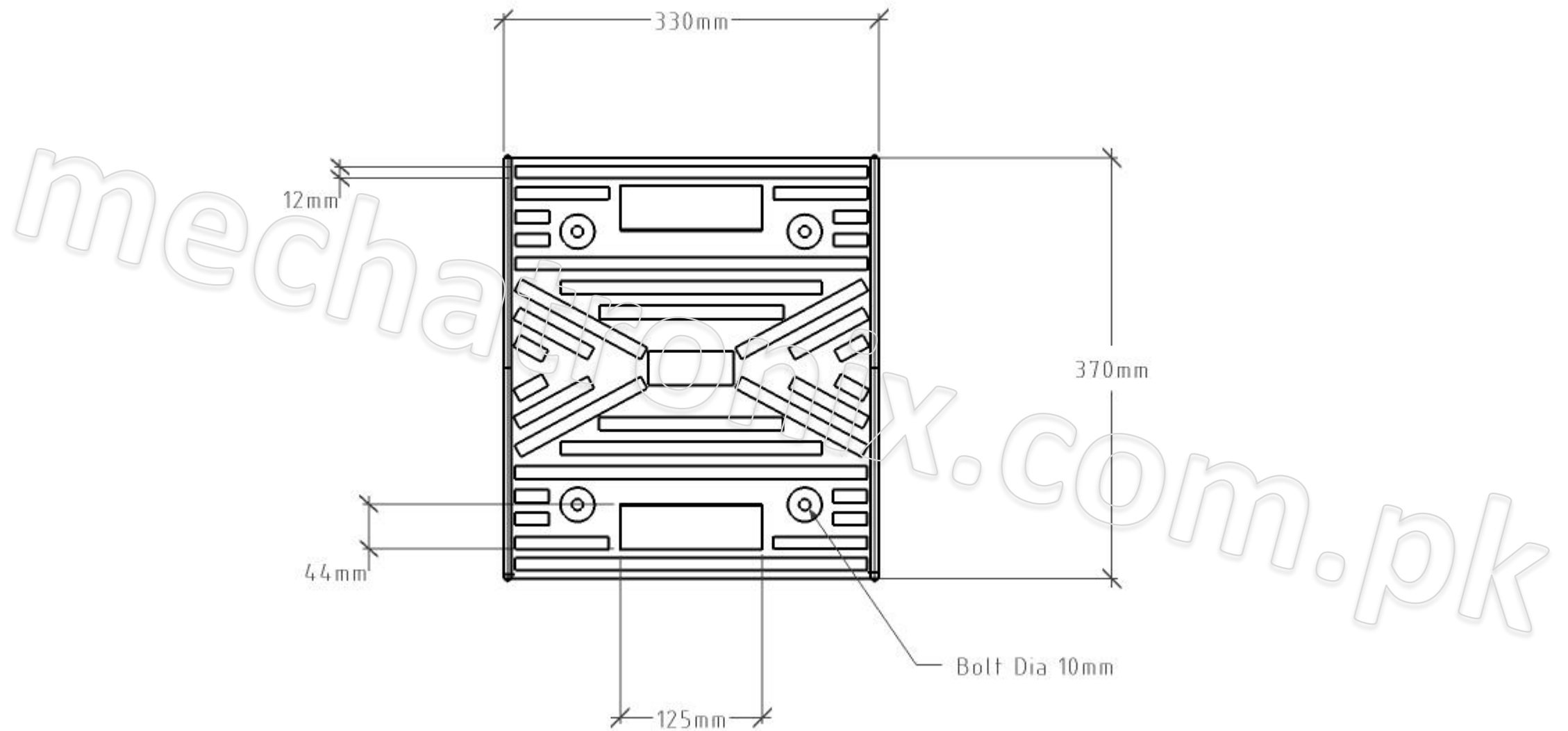

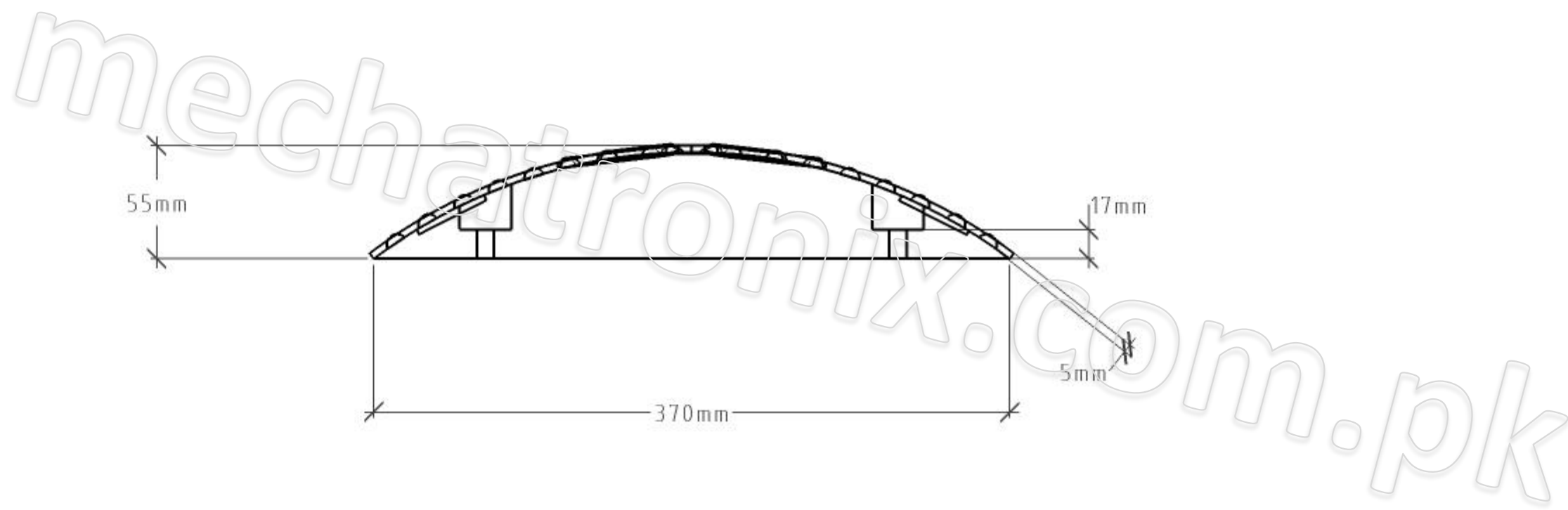
	TITLE	Speed humps	Date	JUN 2017	Designed by:	Engr. Omair Mazhar
	Design no.	003	Units	mm		
Approved by Sol. Architect:		Approved by Workshop Supervisor		Approved by Client:		


This design is an illustration of the concept, deployment map, or fabrication plan. Mechatronix will be responsible for providing only those items which are committed via quotation and purchase order.



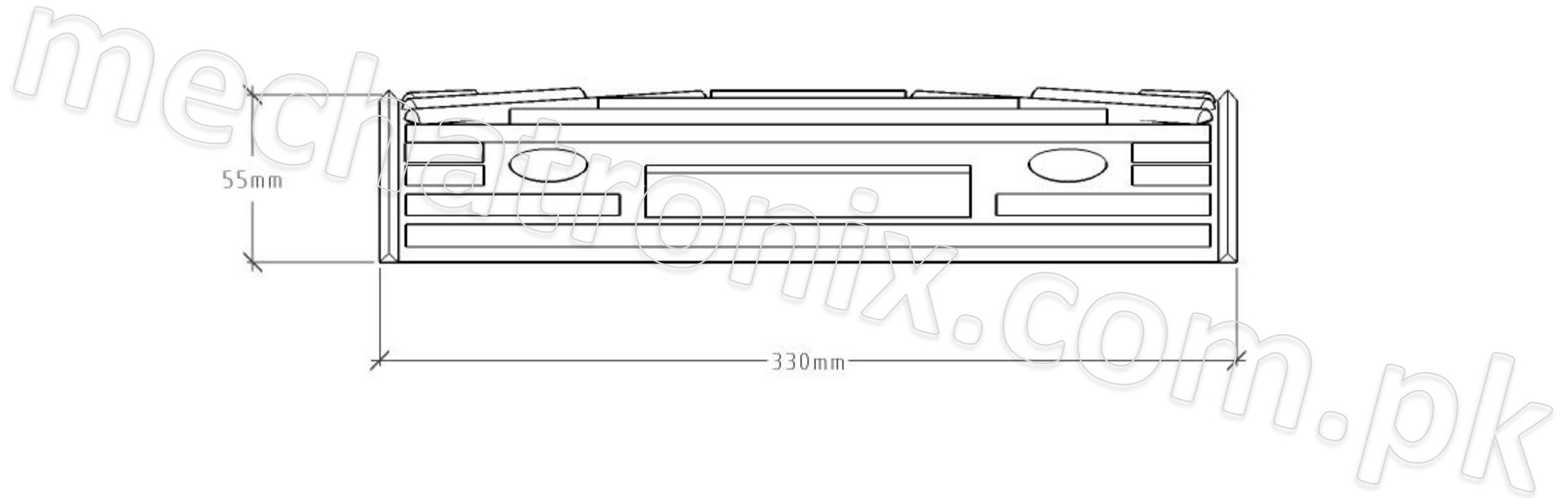
	TITLE	Speed humps	Date	JUN 2017	Designed by:	Engr. Omair Mazhar
	Design no.		Units	mm		
Approved by Sol. Architect:		Approved by Workshop Supervisor		Approved by Client:		


This design is an illustration of the concept, deployment map, or fabrication plan. Mechatronix will be responsible for providing only those items which are committed via quotation and purchase order.



	TITLE	Speed humps	Date	JUN 2017	Designed by:	Engr. Omair Mazhar
	Design no.		Units	mm		
Approved by Sol. Architect:		Approved by Workshop Supervisor		Approved by Client:		

This design is an illustration of the concept, deployment map, or fabrication plan. Mechatronix will be responsible for providing only those items which are committed via quotation and purchase order.



	TITLE	Speed humps	Date	JUN 2017	Designed by:	Engr. Omair Mazhar
	Design no.		Units	mm		
Approved by Sol. Architect:		Approved by Workshop Supervisor		Approved by Client:		

This design is an illustration of the concept, deployment map, or fabrication plan. Mechatronix will be responsible for providing only those items which are committed via quotation and purchase order.